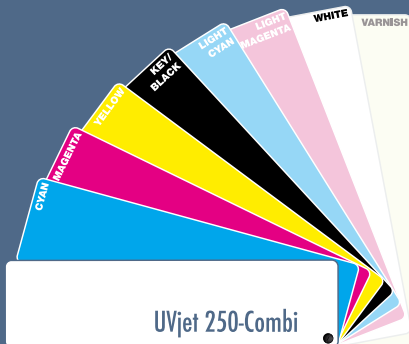


# Zünd UVjet 250-Combi



True flatbed and roll to roll capability



4 or 6 colour and white

spot colour option for white ink or varnish

indoor and outdoor applications

for uncoated, rigid and flexible media up to  
100 mm thick, 2500 mm wide, any length

boards, sheets or rolled material

# Zünd – your strong partner for flatbed printing and cutting

For more than 20 years Swiss flatbed cutters have set high standards as accurate, versatile and reliable processing systems. Zünd has gained its reputation as the pacemaker in developing new flatbed technology. Pioneer and market leader in one, Zünd offers the widest range of multi-functional, high precision flatbed plotters and cutters.

Well over 10,000 flatbed systems “made in Switzerland” are in operation throughout the world, in the graphic, textile, packaging, leather and other industries.

The introduction of digital printing utilizing UV curable ink allows screen printers, photo labs, digital printers, sign shops etc. to produce a wide range of products. Such companies are becoming solution providers of POS, exhibition- and event graphics, architectural-, interior- and commercial signage. Even prints on carpets, ceiling tiles and wall panels are possible as well as art reproductions, packaging proto types/low runs etc.

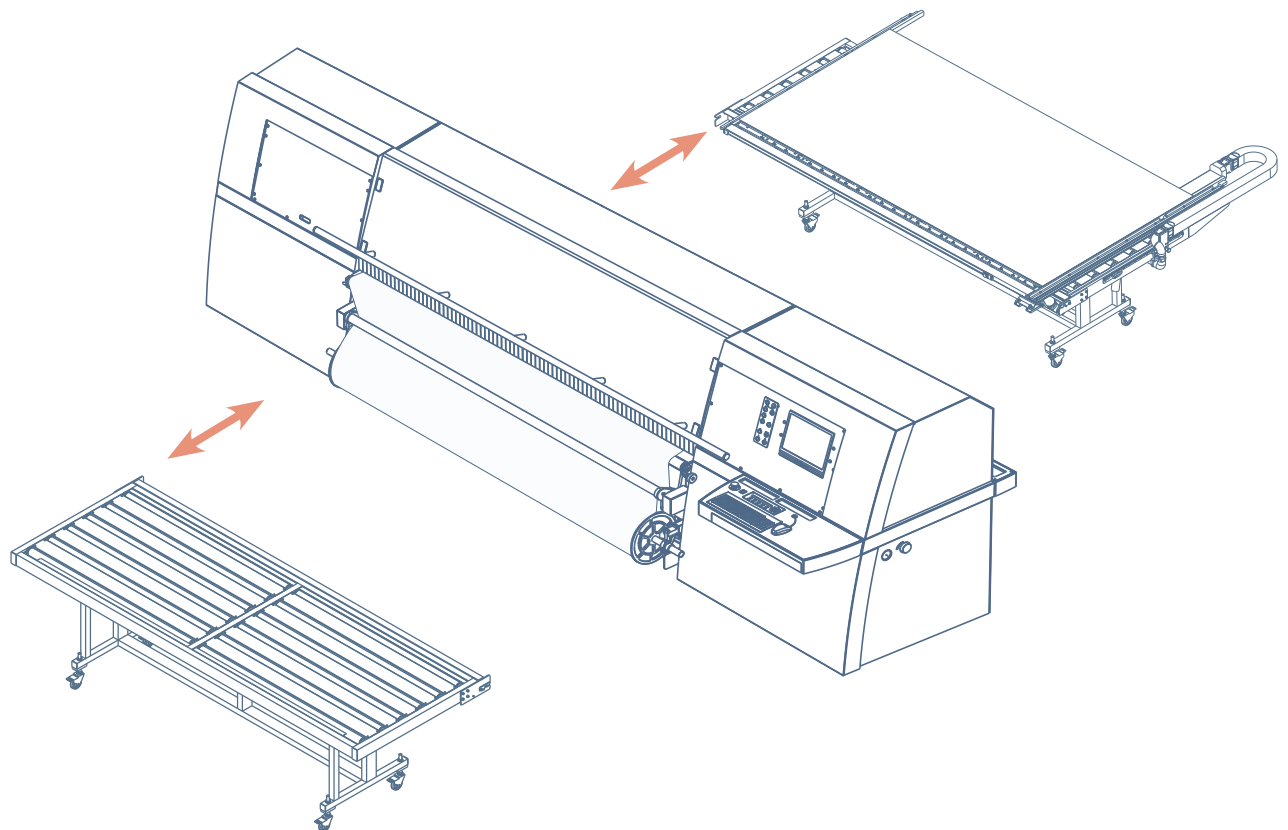
**The UVjet 250-Combi is designed to meet the requirements of the future graphic market. Highest print-quality and unmatched versatility for the widest range of materials.**

Not only designer creativity is challenged with this new range of materials. Such materials can often be heat sensitive, moisture absorbent or charged with static electricity resulting in reduced print-speed and poor print-quality. The UVjet 250 includes features to facilitate such difficult material characteristics as well as standard mesh, fabrics, vinyl, banner, sheets and boards.

Designed for industrial use, the UVjet 250-Combi guarantees continuous production and minimum downtime.

Standard 4 colour printing (CMYK) with 400 dpi addressable resolution. Optional 6 colour printing (CMYKLCm) with 600+ dpi apparent resolution for smoother gradients, better skin tones etc. With the addition of white ink and selective varnish the new opportunities are almost unlimited.

## From a roll to roll printer to a genuine flatbed with a vacuumtable ...



**... in just a few minutes!**

### Print-table with optional vacuum material fixation

Combine the advantages of a "genuine" flatbed printer with the versatility of a "hybrid roll to roll and flatbed printer". Perfect material fixation/flatness is essential for high print-quality and is guaranteed with the Zünd vacuum system. In addition it offers easy and precise material registration, most efficient handling for sheets and pre-cut boards and the ability to simultaneously print multiple smaller formats.

### The spot colour option

The UVjet 250-Combi can be configured or easily upgraded with a 5th resp. 7th colour module to be used for either white ink or varnish.



Boards up to 100mm thickness

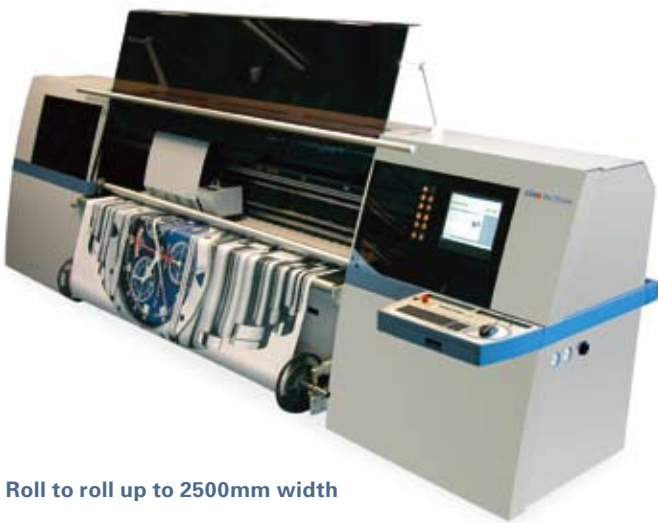
**White ink** can be printed either before (under), after (over) or with other colours to achieve all possible optical effects. The white density is controllable through software settings.

**Varnish** can be printed either as "fill" (with other colours) to give unprinted areas the same gloss level as the printed areas or as "selective/spot varnish" (after other colours) for creative optical effects.

### Technical data

Print width	up to 2500mm
Print length	unlimited
Material thickness	up to 100mm
Addressable resolution	400dpi
Print speed	14-40m <sup>2</sup> /h
Ink consumption	approx. 80m <sup>2</sup> /litre (CMYKLCm)

Specifications are subject to change without prior notice.



Roll to roll up to 2500mm width

## ALL ADVANTAGES AT A GLANCE

### VERSATILE

True flatbed and roll to roll capabilities in one machine

Virtually any materials up to 100mm thick

Vacuum table for material fixation

Textile/mesh printing feature

### SIMPLE AND EFFICIENT IN OPERATION

Control panel at the front and the back for easy media loading/unloading

Simple and fast change over for roll, board and sheet applications

Tandem modus for non-stop production

Simultaneous printing of multiple small formats

Skip white space feature

"on the fly" adjustment of print-head distance, vacuum width, left stop ...

"on the fly" print-head maintenance

Easily accessible in daily use and for service

Startup in a few minutes

### ACCURATE

Highest material registration and transport accuracy

True size panel printing

### MODULAR

Available as 4 or 6 colour model

Spot colour option for white ink or varnish

Antistatic option

Print-table with vacuum fixation

### RELIABLE AND SERVICE FRIENDLY

Swiss quality engineering

Low maintenance requirement

Nozzle compensation feature allows continued printing even with nozzle or print-head errors

Easy print-head replacement and adjustment

Installed and operational in less than half a day

# Zünd - one step ahead

We are always striving for new ideas and innovative solutions.

Zünd stands for efficient processing systems for most versatile applications with highest customer benefits. The rapid evolution of production needs requires Zünd to constantly extend developments.

Digital workflow with integration of our cutting systems into complex operations is the challenge of the future.

Zünd's universal flatbed printers, camera controlled cutting heads and automatic feeding systems are already offering tomorrow's solution today!

## From printing to cutting

The trend towards just-in-time production and the ever-growing need for customization makes manual cutting and traditional die-cutting inefficient, if not obsolete. The solution is digital production including digital finishing, commonly referred to as Zünd PRINT+CUT.

Zünd cutting systems offer automated cutting and trimming of virtually any printed graphics. Typical benefits include increased productivity and reduced waste at lower cost.

Well over 1000 digital and screen printers worldwide rely on this proven concept in their daily production of displays, POS, banners, posters, labels, decals etc.

**Whatever the material, whatever the shape Zünd has the perfect solution for cutting printed graphics.**

**PRINT + CUT**  
a perfect match



Please refer to separate brochures for further details on our cutting systems.



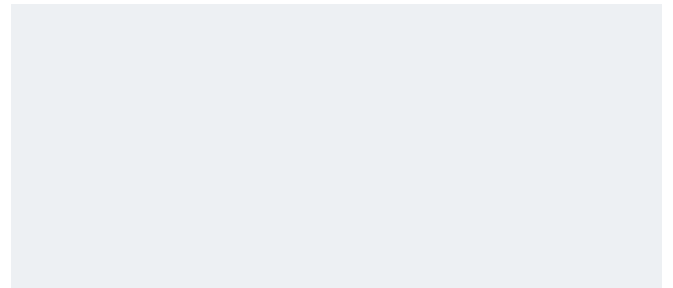
## Worldwide, accessible, reliable

The level of first class cutters and printers also extends to the aftersales service. Worldwide sales and service centres with spare parts for all Zünd and Wild plotters, regular training courses for service technicians and system suppliers as well as hotline support give customers complete assurance in their purchasing decision.



We care about our products, about people and the environment. The use of environment friendly and solvent-free ink is for us as natural as our idyllic company surroundings.

distributed by:



**Zünd Systemtechnik AG**  
Industriestrasse 8  
CH-9450 Altstätten  
Tel. +41 71 757 81 00  
Fax +41 71 757 81 11  
E-Mail: info@zund.com

**Zund America, Inc.**  
5068 W. Ashland Way  
Franklin, WI 53132  
Tel. +1 414 433 0700  
Fax +1 414 433 0800  
Email: infous@zund.com

**Zünd Asia Ltd.**  
Rm 911, 28 Hoi Chak Street  
Quarry Bay, Hong Kong  
Tel. +852 2561 1812  
Fax +852 2564 4417  
E-Mail: info@zundasia.com

**ZÜND**   
swiss printing and cutting

www.zund.com